



INSTALLATION INSTRUCTIONS

MAC-400

MID-SIZE FLAT SCREEN ROTATION ACCESSORY

Prior to assembly, unpack carton completely and verify contents.

If you are missing any of the following components, please contact Customer Service at 1-800/582-6480.

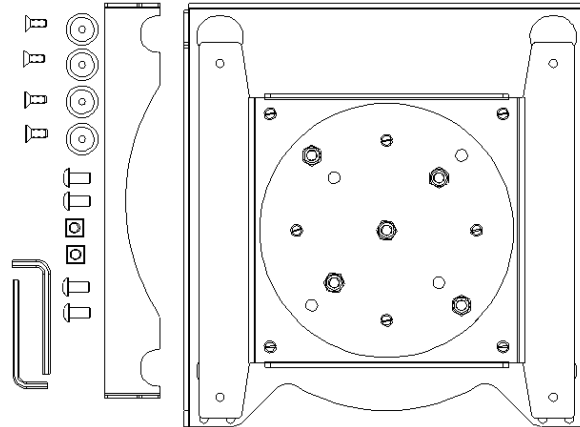


Figure 1

- | | |
|---|--|
| (1) Rotation Assembly | (4) Mounting Buttons – Tapped 10-24 |
| (4) 10-24 x .5” Flat Head Cap Screws | (1) Locking Strap |
| (2) 1/4-20 x .5” Button Head Cap Screws | (2) 1/4-20 x .5” Security Button Head Cap Screws |
| (2) 1/4-20 Square Nuts | (1) 5/32” Security Hex Key |
| (1) 1/8” Hex Key | |

BEFORE PROCEEDING, READ INSTALLATION INSTRUCTIONS COMPLETELY

CAUTION! FLAT SCREEN DISPLAYS ARE EXTREMELY FRAGILE.

NOTE: The MAC-400 adds 0.94” of depth and 6 lbs (2.72 kg) to overall installation. It is the installer’s responsibility to ensure that combined weight of screen and MAC-400 does not exceed the maximum support weight of the mount.

1. Remove screen from Chief Mount or, if not installed, install MSB interface bracket to back of screen per instruction supplied with the interface.
2. Attach mounting buttons to Rotation Assembly, using the four 10-24 x 1/2” flat head cap screws. Make sure the buttons are securely fastened. .

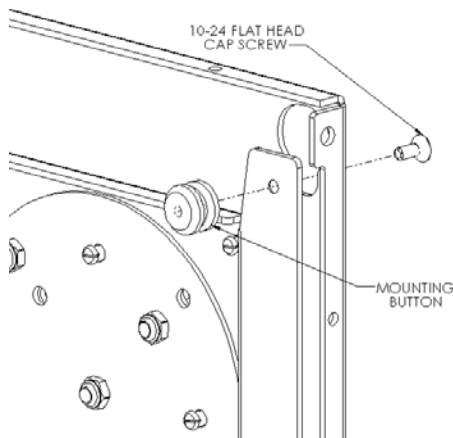


Figure 2

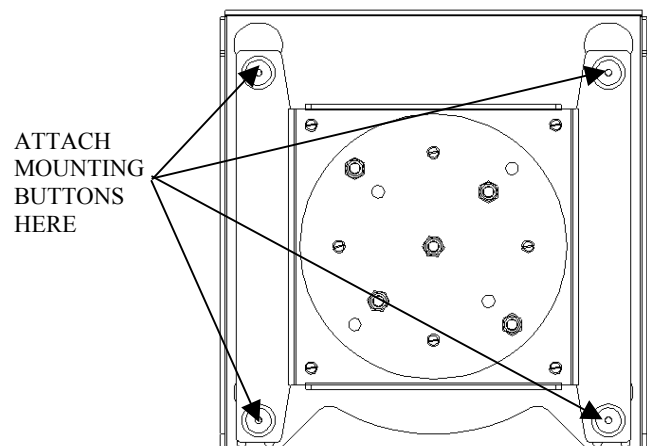


Figure 3

- Attach MAC-400 to MSB Interface Bracket by placing the mounting buttons of MSB into the teardrop slots of MAC-400. Make sure the mounting buttons are placed securely in teardrop slots. See Figure 4.

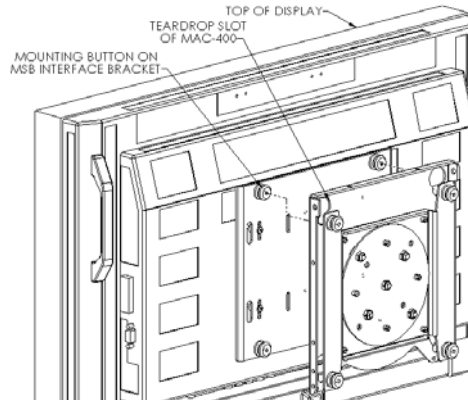


Figure 4

- Place locking strap over top mounting buttons and secure using two 1/4-20 button head cap screws and two 1/4-20 square nuts. Use 1/4-20 tamper-proof security screws and 5/32" security hex key (provided) for added security. See Figure 5 and Figure 6.

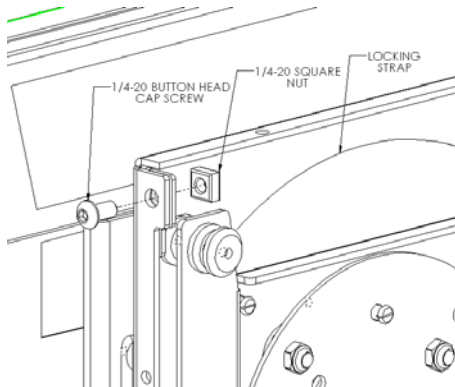


Figure 5

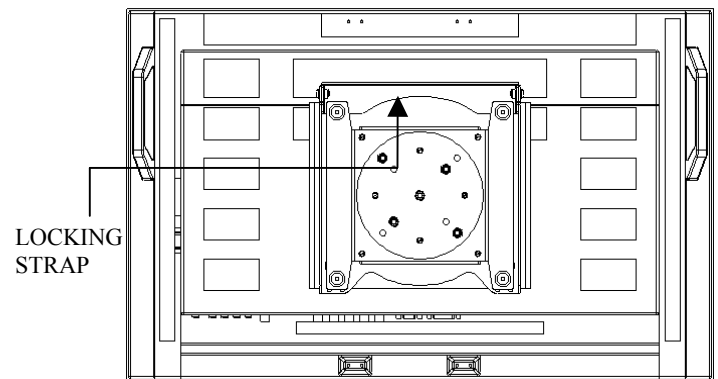


Figure 6

- Set desired amount of friction for rotating the screen by tightening or loosening the four nuts on the backside of the MAC-400. See Figure 7.

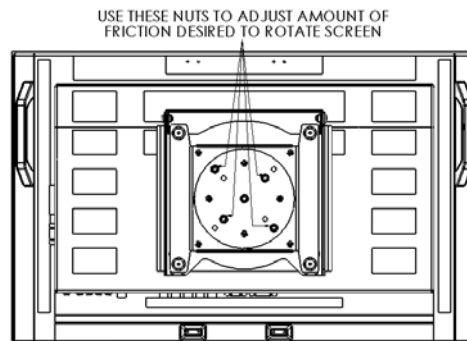


Figure 7

- With the aid of another person, lift Flat Panel Display and MAC-400 up to Chief Mount, aligning buttons of Rotation Accessory with slots in the Chief Mount.
- Raise safety latch on Chief Mount to secure Display, making sure latch is completely engaged.
- If you wish to rotate screen the other way, take screen and Rotation Accessory from Chief Mount, rotate the back plate of the MAC-400 by 90 degrees.
- Install screen on Chief Mount.
- Use holes on outside bends to tie wires for cable management.
- On some mounts, you may have to increase friction on tilting and/or roll mechanisms since the MAC-400 adds depth to overall installation.